

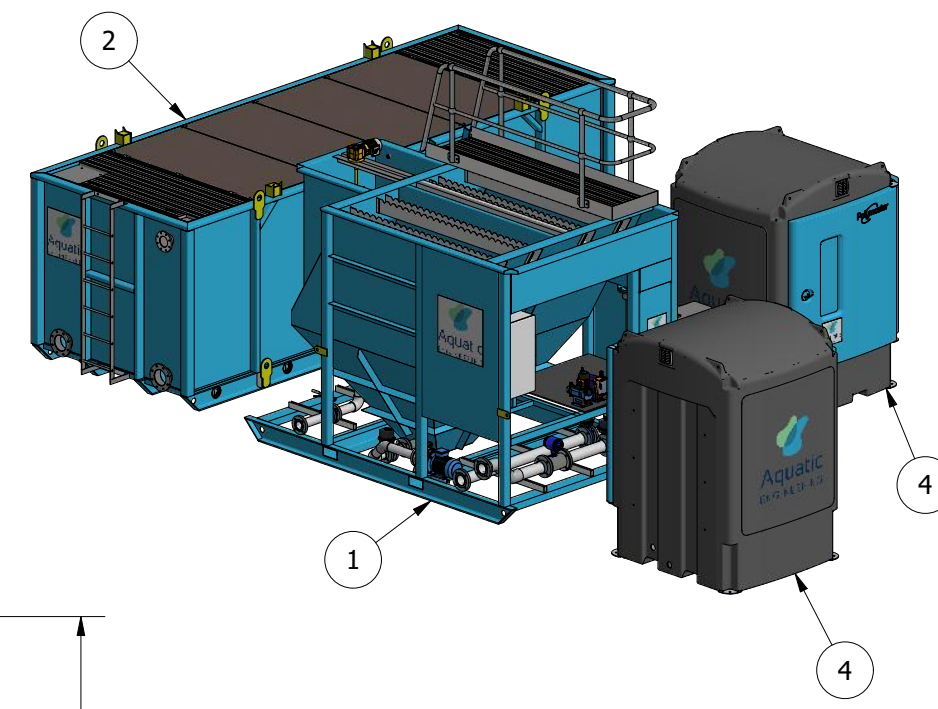
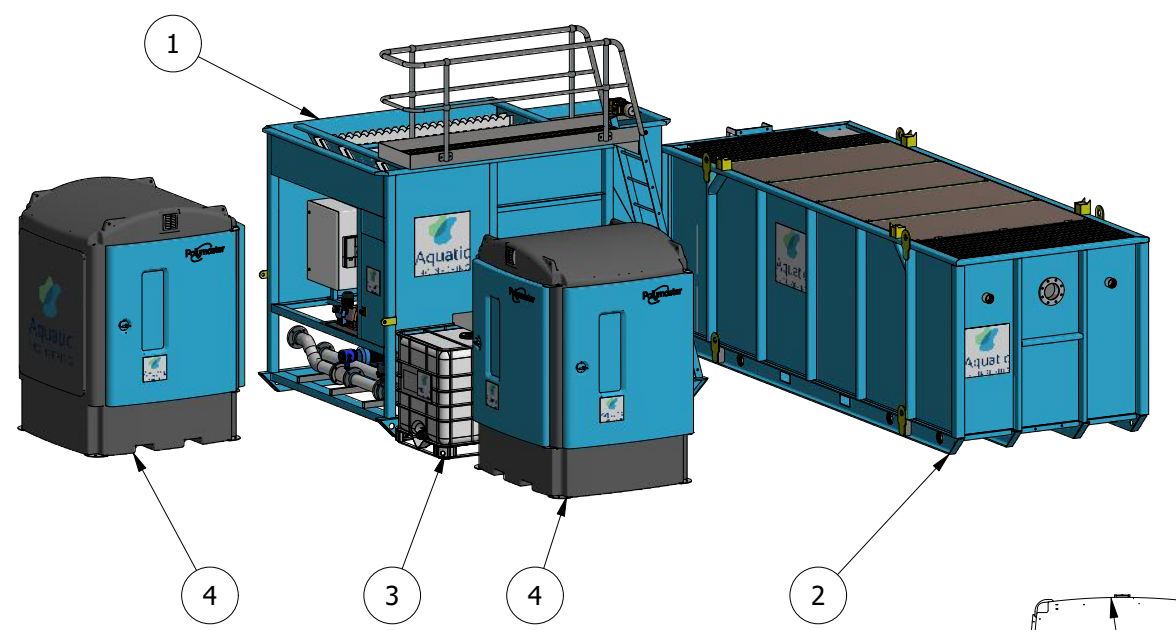
6 5 4 3 2 1

D

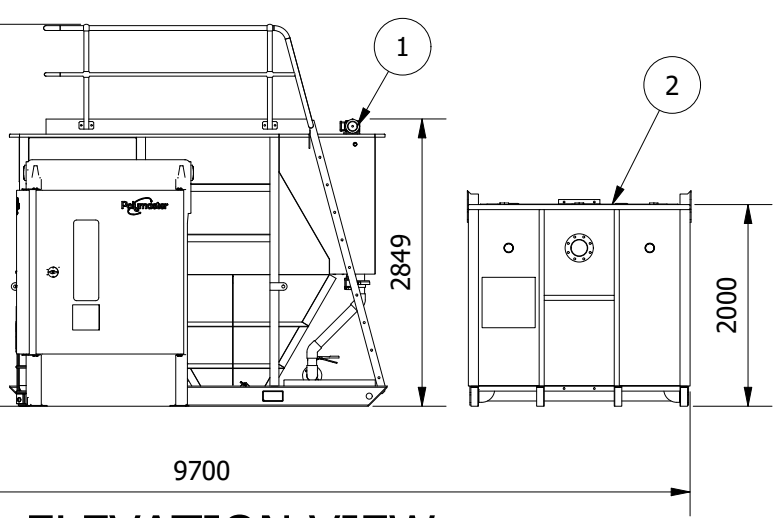
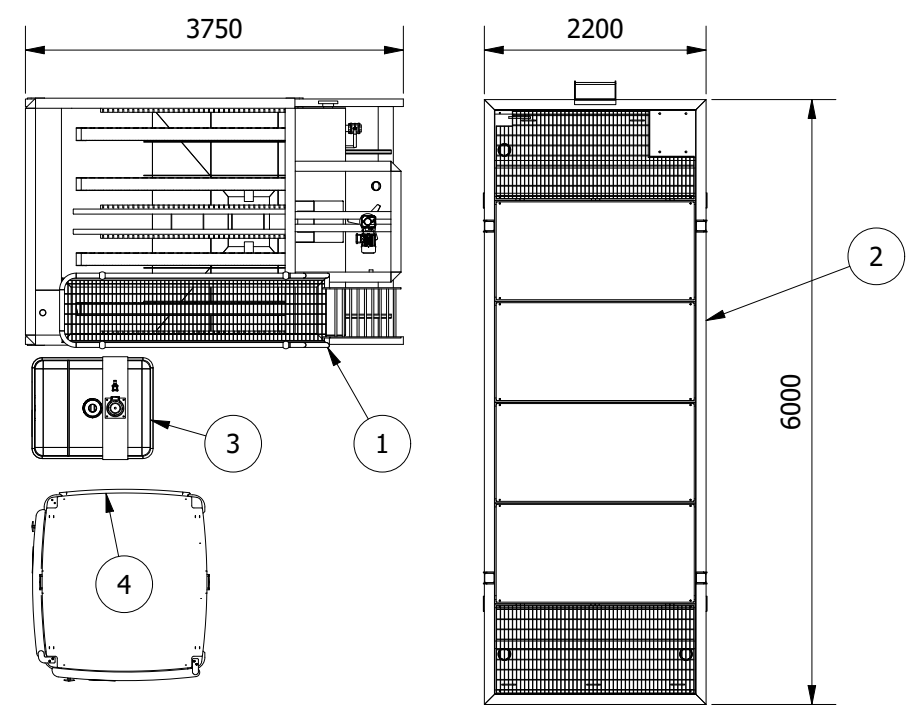
C

B

A




PLAN VIEW



ELEVATION VIEW

PARTS LIST		
ITEM	QTY	PART NUMBER
1	1	TRIDENT T4R Assembly
2	1	MUDBUG MB20
3	1	AEA BATCHBLEND Flocc Blender
4	2	AEA POD Chem Store

				SIGNATURE		DATE		 <p>Aquatic ENGINEERING</p> <p>ABN: 47 083 962 163</p> <p><small>THIS DOCUMENT IS CONFIDENTIAL. THE COPYRIGHT THEREIN IS RESTED IN AQUATIC ENGINEERING Pty. Ltd. RECIPIENTS MUST OBTAIN THE WRITTEN AUTHORITY OF THE SAID COMPANY BEFORE WHOLLY OR PARTLY DUPLICATING THE CONTENTS OR DISCLOSURE SAME TO OTHERS. ALL RIGHTS RESERVED.</small></p>	PROJECT:	SYSTEM STANDARD	TYPICAL SYSTEM
0	30.07.2024	ISSUE FOR INFORMATION		J.P.	J.B.	CAD FILE REFERENCE:			PROJECT No.:	SAMPLE	10 L/sec TREATMENT
REV.	DATE	REVISION		BY	CHK'D	APPR'D	SCALE: 1:75 UON		SHEET SIZE: A3	DRAWING No.:	L01-T4R/MB20-10LPS
											TRIDENT 4 & MudBug20
										SMT No.	ISSUE
										1	0

6 5 4 3 2 1