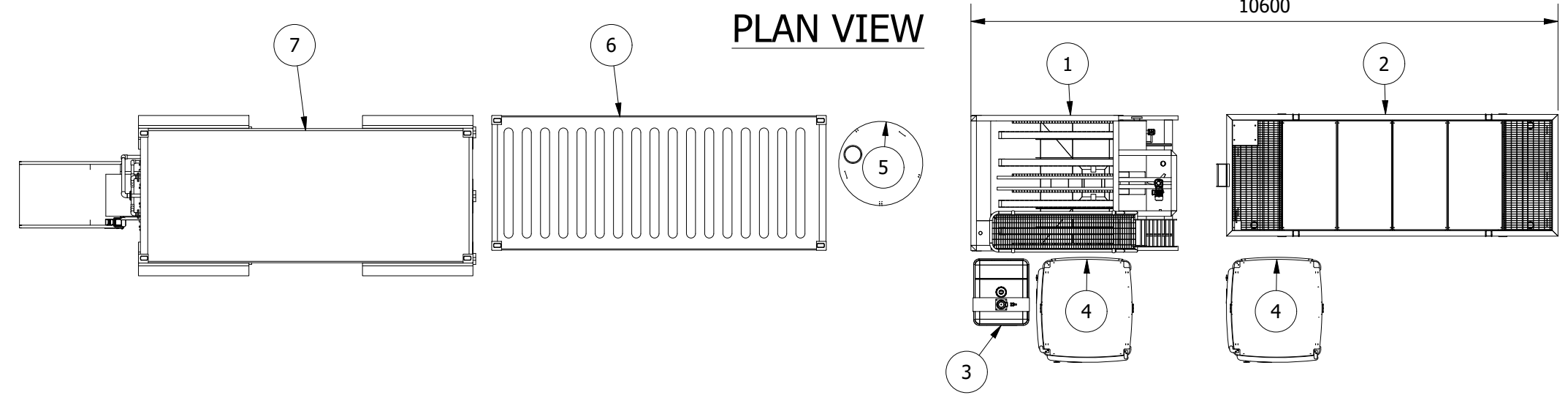
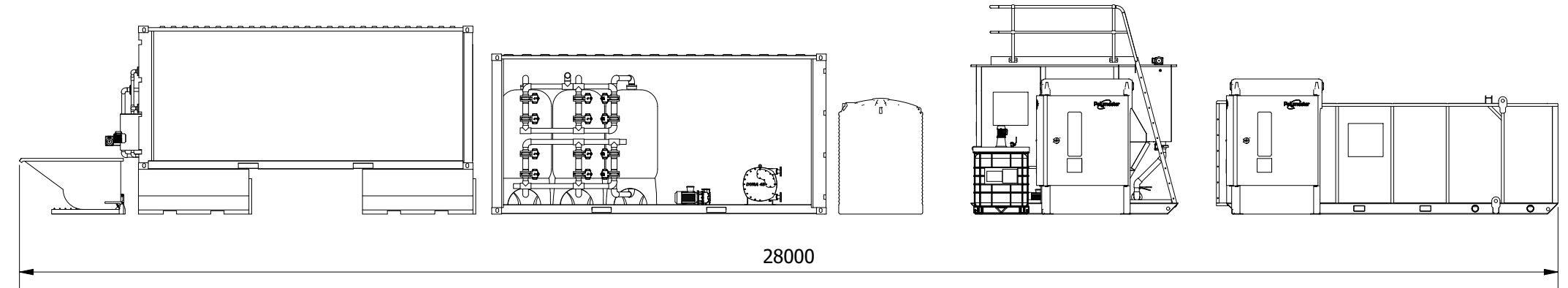


PLAN VIEW



28000

ELEVATION VIEW



PARTS LIST		
ITEM	QTY	PART NUMBER
1	1	TRIDENT T4R Assembly
2	1	MUDBUG MB20
3	1	AEA BATCHBLEND Flocc Blender
4	2	AEA POD Chem Store
5	1	Pump Transfer Tank
6	1	Filters & Pumps Container
7	1	Filter Press ACS-800-50 Container
8	1	Skip Bin
9	6	Jersey barrier

				SIGNATURE		DATE		<p>Aquatic ENGINEERING</p> <p>ABN 47 083 962 163</p> <p><small>THIS DOCUMENT IS CONFIDENTIAL. THE COPYRIGHT THEREIN IS RESTED IN AQUATIC ENGINEERING Pty. Ltd. RECIPIENTS MUST OBTAIN THE WRITTEN AUTHORITY OF THE SAID COMPANY BEFORE WHOLLY OR PARTLY DUPLICATING THE CONTENTS OR DISCLOSURING SAME TO OTHERS. ALL RIGHTS RESERVED.</small></p>	PROJECT: SAMPLE	THE SAMPLE SYSTEM - COMPLEX 10 L/sec TREATMENT & DEWATER TRIDENT4/ MudBug20/ FILTERS	DRAWING No.: L01-T4R/MB20++ -10LPS	SMT No.: 1	ISSUE 0
				DRAWN					PROJECT No.: SAMPLE				
				CHECKED									
				APPR'D									
0	30.07.2024	ISSUE FOR INFORMATION	J.P.	J.B.	CAD FILE REFERENCE:		SCALE: 1:100 UON	SHEET SIZE: A3					
REV.	DATE	REVISION	BY	CHK'D	APPR'D								